

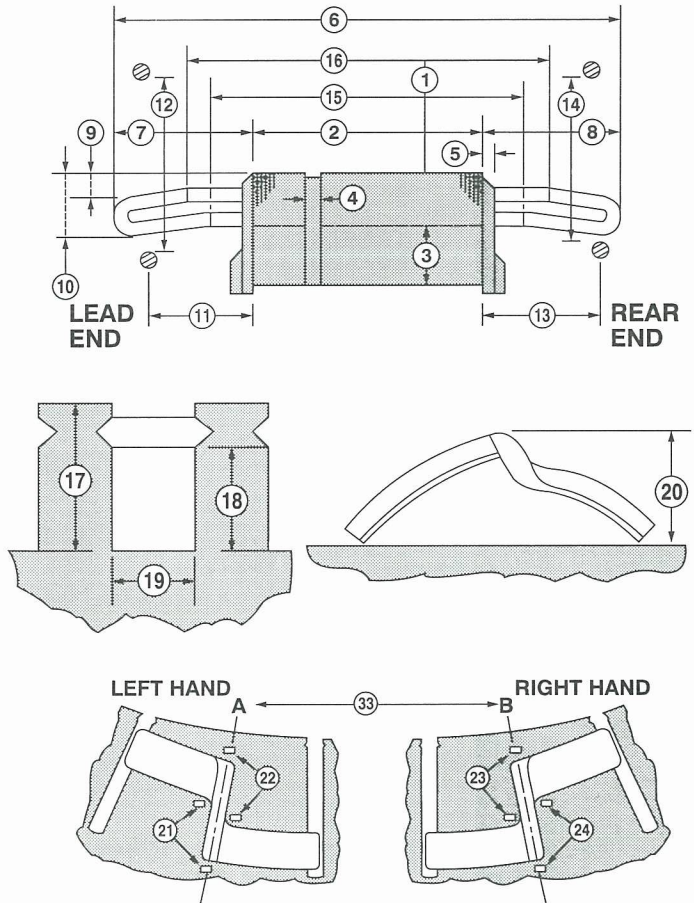


WITH SOUTHERN ELECTRIC COIL, THE POWER IS IN YOUR HANDS!

STATOR COIL DATA

PLANT LOCATION		YOUR NAME		DATE	
MACHINE TYPE	(A)	HP/KVA	(E)	ORDER NO.	(K)
ORIGINAL MFGR.	(B)	RPM	(F)	INSUL. SYSTEM	(L)
FRAME	(C)	VOLTS	(G)	AMPS	(H)
SERIAL	(D)	HERTZ	(I)	PHASES	(J)
				LEADS TINNED?	(M)
				REMARKS	(N)

1. CORE BORE	1.
2. CORE LENGTH	2.
3. BACK IRON	3.
4. VENTS # LGTH.	4.
5. FINGER PLATE	5.
6. COIL LENGTH	6.
7. FRONT EXTENSION	7.
8. REAR EXTENSION	8.
9. SMALL DROP	9.
10. LARGE DROP	10.
11. FR. SUP. RING FROM CORE	11.
12. FR. SUP. RING I.D.	12.
13. R. SUP. RING FROM CORE	13.
14. R. SUP. RING I.D.	14.
15. LGTH. BOTTOM SIDE	15.
16. LGTH. TOP SIDE	16.
* 17. SLOT DEPTH	17.
* 18. COIL SLOT DEPTH	18.
* 19. SLOT WIDTH	19.
20. COIL HEIGHT	20.
21. LEAD LOCTN. OUT DOWN	21.
22. LEAD LOCTN. OUT DOWN	22.
23. LEAD LOCTN. OUT DOWN	23.
24. LEAD LOCTN. OUT DOWN	24.
25. CONNECTION	25.
26. SLOTS	26.
27. COIL THROW SLOTS 1 —	27.
28. TURNS	28.
29. WIRES IN PARALLEL	29.
* 30. WIRE SIZE	30.
WIRE SIZE	
31. STRAND INSUL. MATL.	31.
32. WT./COIL	32.
33. COIL TYPE	33.
34. IRON SKEWED?	34.
* 35. PRESENT SIZE	35.



AREA FOR SKETCHES

Questions? Need Assistance? Call our skilled and friendly experts!

Southern Electric Coil, Inc.

5025 Columbia Avenue Hammond, IN 46327
 Tel: (800) 348-6560 Fax: (219) 937-1387
 email: service@southernelectriccoil.com